



### Specifications:

- **Lumens:** 2,150 Utilizing 2 Cree XM-L2 LEDs
- **Weight:** 8 ounces
- **Wattage/Amps:** 21W / 1.75A
- **Dimensions:** 2.93" x 1.76" x 1.68"
- **LED Life Expectancy:** 49,930 Hours
- **Front Lens:** Hard Coated Polycarbonate
- **Housing:** Powder Coat Bezel -Hard Anodize
- **Hardware & Bracket Material:** Stainless Steel
- **Exceeds MIL-STD810G**
- **Built-In Overvoltage Protection**



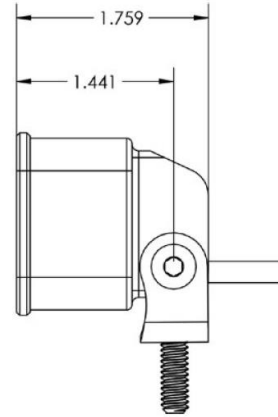
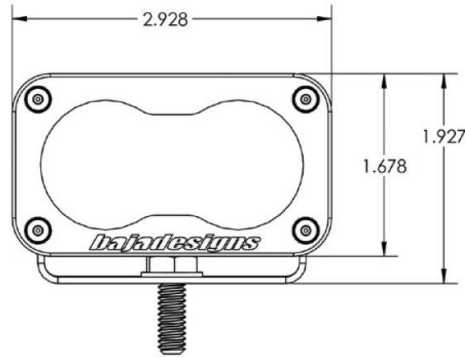
### Baja Designs Features:

- **Satisfaction Guaranteed** - 30 Day Money Back Guarantee
- **Limited Lifetime Warranty** - Complete Purchase Protection
- **uService®** - Replaceable Lenses And Optics
- **ClearView®** - All The Light, Right Where You Need It
- **MoistureBlock™** - Waterproof, Rain Proof, Submersible
- **CopperDrive®** - Only LED Driven At 100%
- **5000K Daylight** - Less Driver Fatigue, Natural Color



### Standards of Compliance:

- **MIL-STD-810G Certified** - (Low Temperature Test, High Temperature, Temperature & Humidity, Thermal Shock Cycling, Dust, Random Vibration, Mechanical Shock, Low Pressure & Drip Box Water)
- **IP69K Certified** - (Submersible to 9ft)
- **IK10 Compliant** - (Mechanical Impact Testing)
- **Salt Spray Certified**



| Part Number           | Description   | Raw Lumens Output | Watts Input | L inches | W inches | H inches | Weight (oz) |
|-----------------------|---|-------------------|-------------|----------|----------|----------|-------------|
| <b>Spot</b>           |   |                   |             |          |          |          |             |
| 48-0001               | S2 Pro, LED Light - Spot                            | 2,150             | 21          | 2.93     | 1.76     | 1.68     | 8           |
| 48-1001               | S2 Pro, Flush Mount LED Light - Spot                | 2,150             | 21          | 2.93     | 1.76     | 1.68     | 8           |
| 48-0011               | S2 Pro, LED Light - Amber Spot                      | 2,150             | 21          | 2.93     | 1.76     | 1.68     | 8           |
| 48-1011               | S2 Pro, Flush Mount LED Light - Amber Spot          | 2,150             | 21          | 2.93     | 1.76     | 1.68     | 8           |
| <b>Driving Combo</b>  |   |                   |             |          |          |          |             |
| 48-0003               | S2 Pro, LED Light - Driving Combo                   | 2,150             | 21          | 2.93     | 1.76     | 1.68     | 8           |
| 48-1003               | S2 Pro, Flush Mount LED Light - Driving Combo       | 2,150             | 21          | 2.93     | 1.76     | 1.68     | 8           |
| 48-0013               | S2 Pro, LED Light - Amber Driving Combo             | 2,150             | 21          | 2.93     | 1.76     | 1.68     | 8           |
| 48-1013               | S2 Pro, Flush Mount LED Light - Amber Driving Combo | 2,150             | 21          | 2.93     | 1.76     | 1.68     | 8           |
| 48-2103               | S2 Pro, LED Light - Driving Combo - Red             | 2,150             | 21          | 2.93     | 1.76     | 1.68     | 8           |
| 48-3103               | S2 Pro, LED Light - Driving Combo - Blue            | 2,150             | 21          | 2.93     | 1.76     | 1.68     | 8           |
| 48-4103               | S2 Pro, LED Light - Driving Combo - Green           | 2,150             | 21          | 2.93     | 1.76     | 1.68     | 8           |
| <b>Flood</b>          |   |                   |             |          |          |          |             |
| 48-0006               | S2 Pro, LED Light - Flood                           | 2,150             | 21          | 2.93     | 1.76     | 1.68     | 8           |
| 48-1006               | S2 Pro, Flush Mount LED Light - Flood               | 2,150             | 21          | 2.93     | 1.76     | 1.68     | 8           |
| 48-0016               | S2 Pro, LED Light - Amber Flood                     | 2,150             | 21          | 2.93     | 1.76     | 1.68     | 8           |
| 48-1016               | S2 Pro, Flush Mount LED Light - Amber Flood         | 2,150             | 21          | 2.93     | 1.76     | 1.68     | 8           |
| <b>Wide Cornering</b> |   |                   |             |          |          |          |             |
| 48-0005               | S2 Pro, LED Light - Wide Cornering                  | 2,150             | 21          | 2.93     | 1.76     | 1.68     | 8           |
| 48-1005               | S2 Pro, Flush Mount LED Light - Wide Cornering      | 2,150             | 21          | 2.93     | 1.76     | 1.68     | 8           |
| <b>Marine/White</b>   |   |                   |             |          |          |          |             |
|                       | <b>For Marine White use part # - WT</b>             |                   |             |          |          |          |             |
|                       | <b>Example: 48-0001-WT</b>                          |                   |             |          |          |          |             |